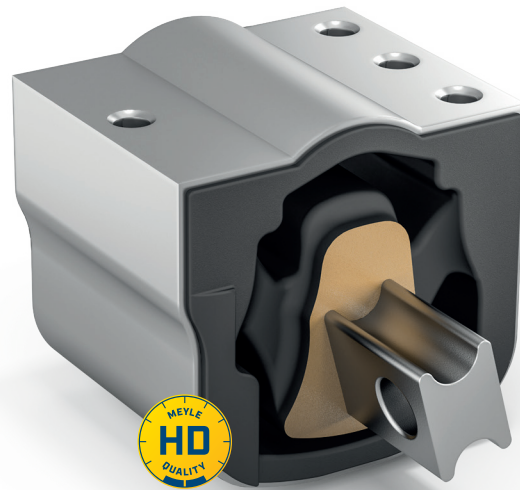
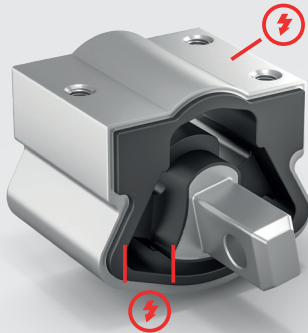


MEYLE-HD: Better than OE.
Transmission mounts



OE part

Standard transmission mount



Problem

- Premature failure due to standard OE product design
- Five different OE versions of the transmission mount

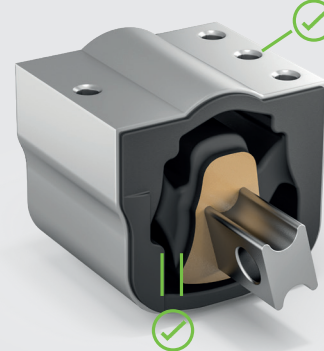


Effect

- Loss of comfort due to vibrations and noises
- High costs and workload due to multiple storage
- Longer delivery times

MEYLE-HD

Optimised transmission mount, 5-in-1 solution



Solution

- Optimised geometry
- Improved materials for high loads
- Combination of the best product characteristics in a single reference transmission mount
- Optimised MEYLE-HD transmission mount replaces all five OE versions



Advantage

- Excellent damping property
- Significantly longer service life
- Time and money savings in relation to research, storage and transportation
- Four-year guarantee