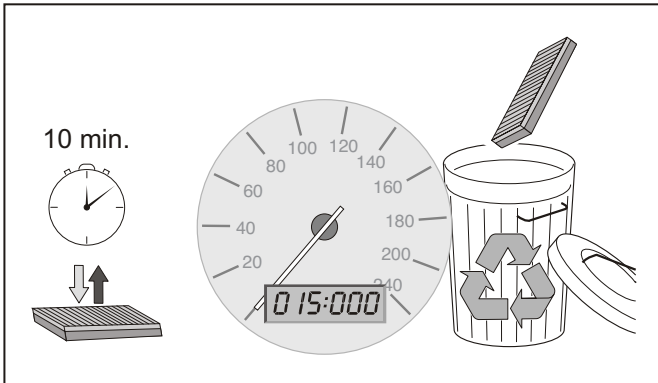
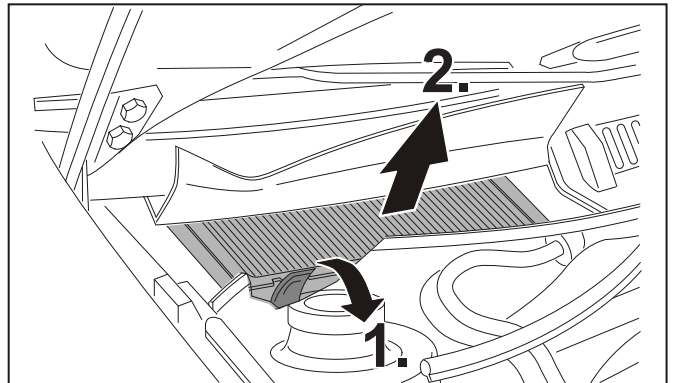


Audi A3

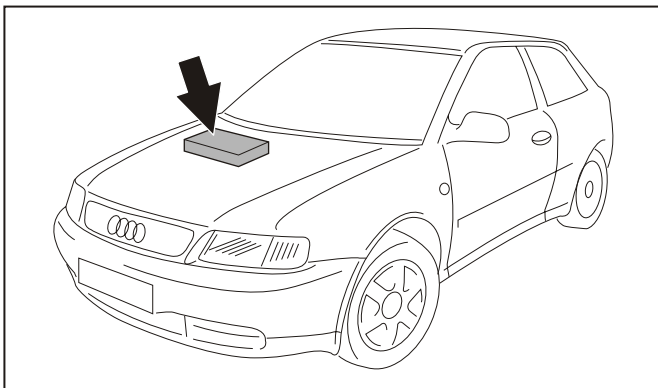
①



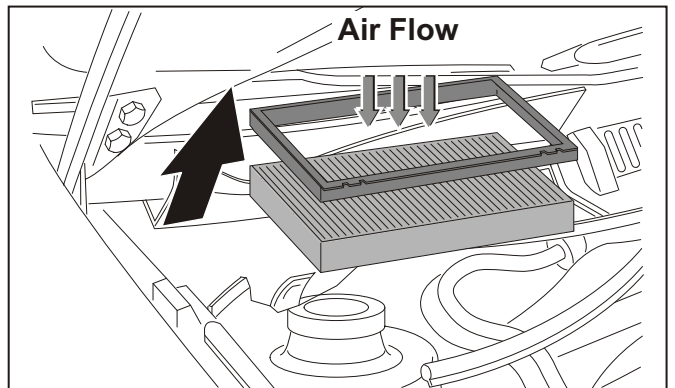
④



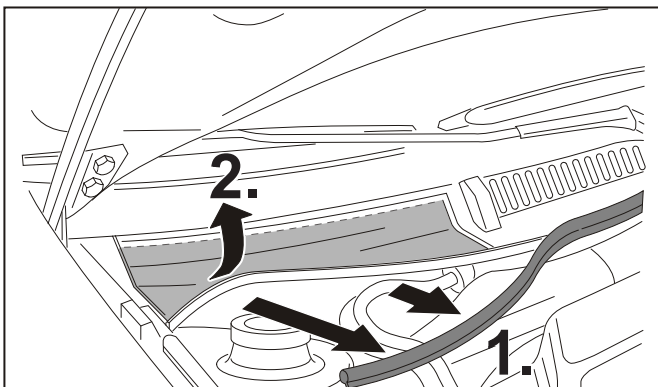
②



⑤

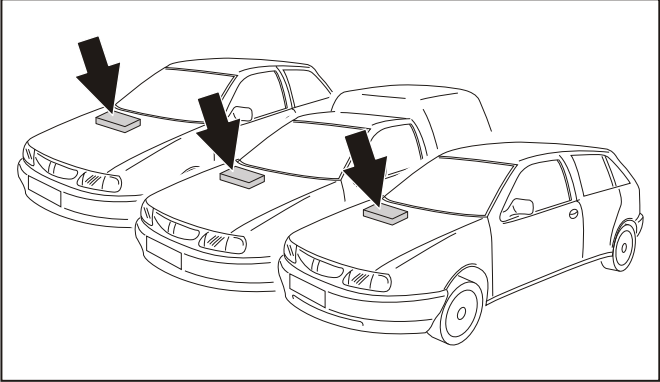


③

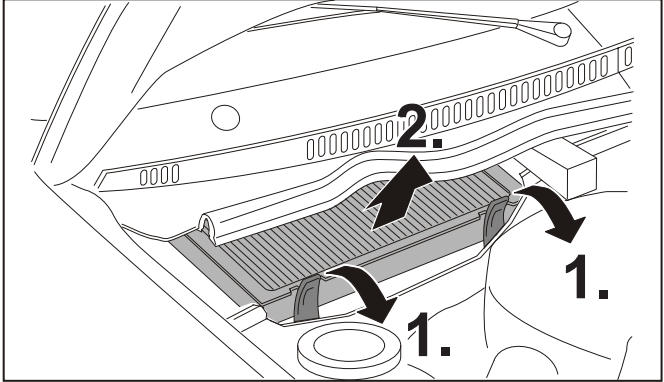


Seat Cordoba, Ibiza, Inca

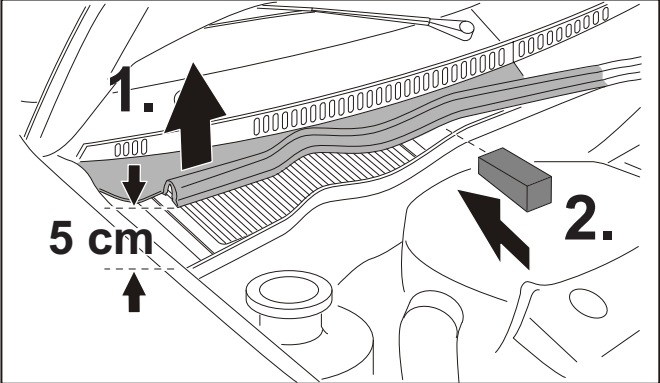
①



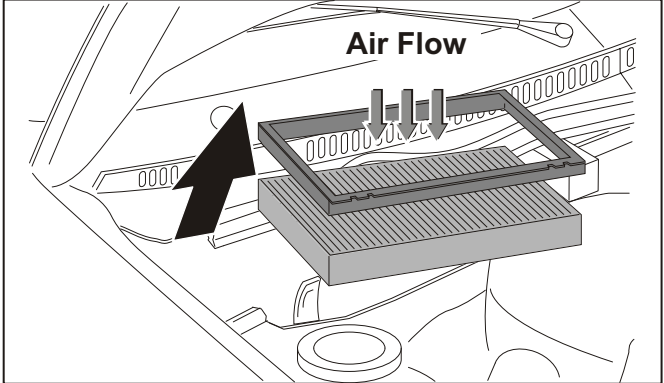
③



②

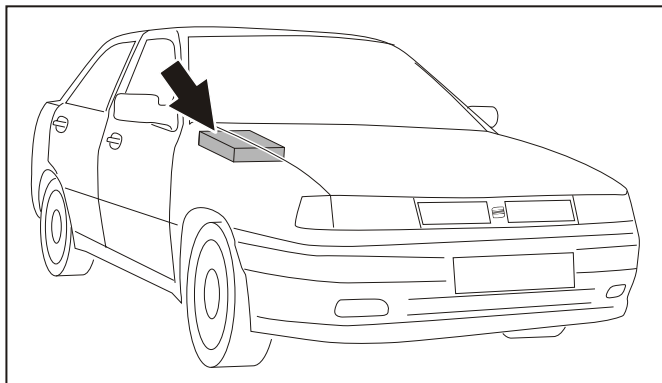


④

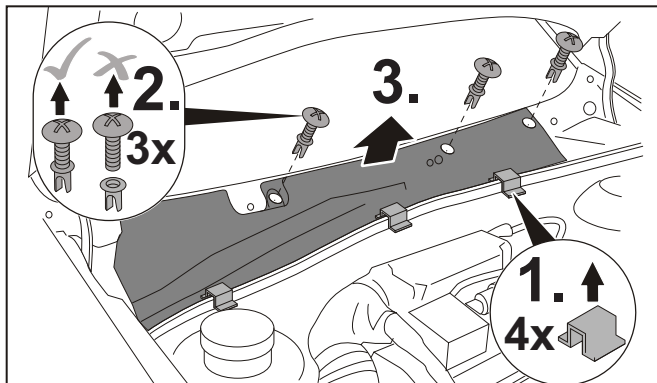


Seat Toledo

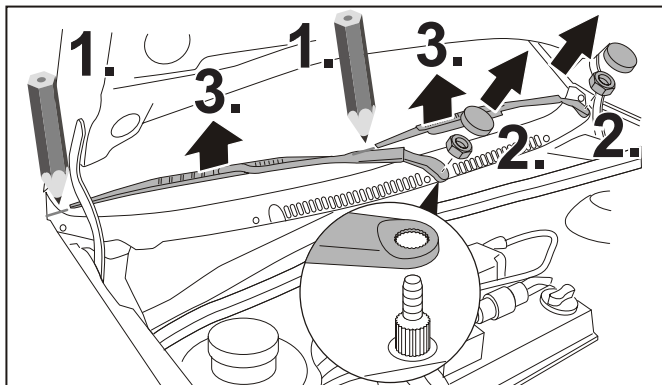
1



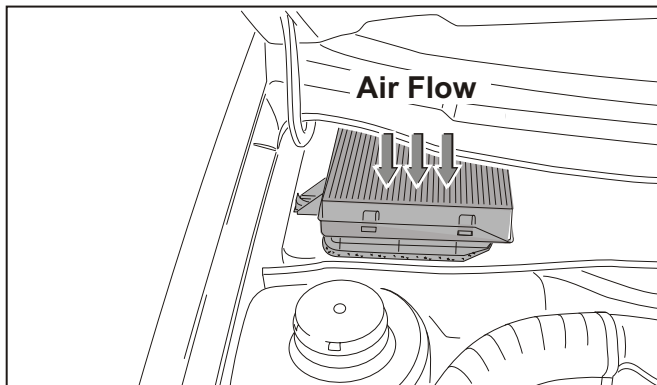
4



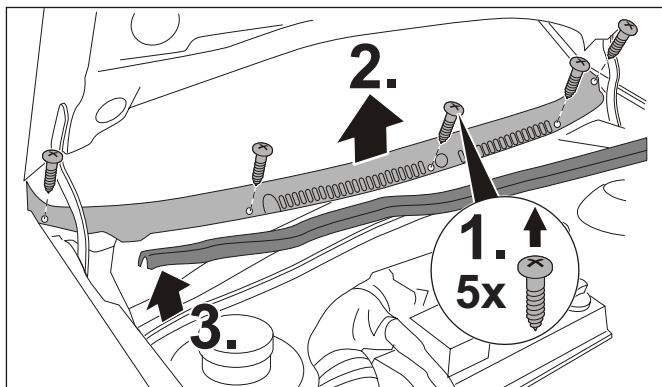
2



5

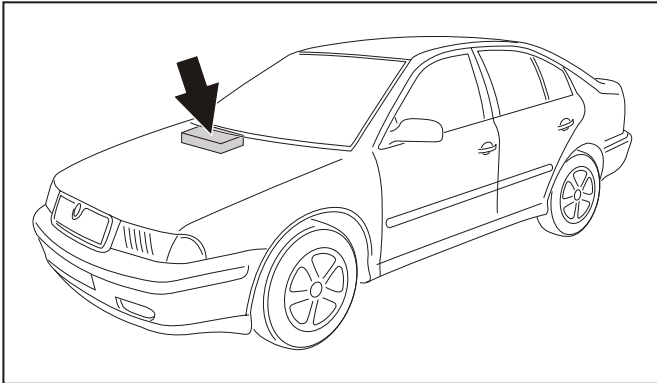


3

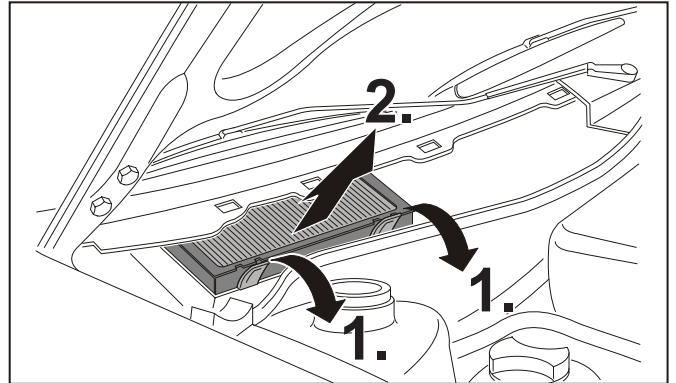


Skoda Octavia

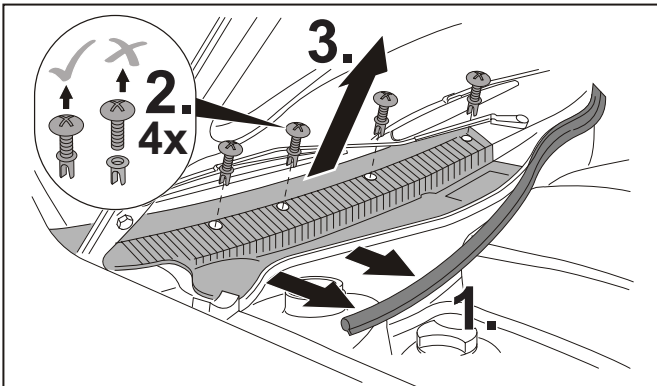
①



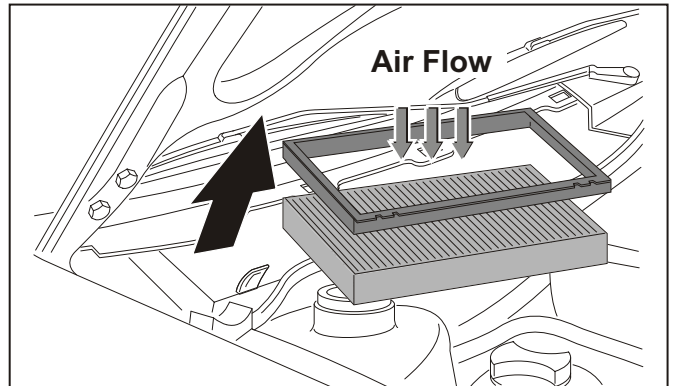
③



②

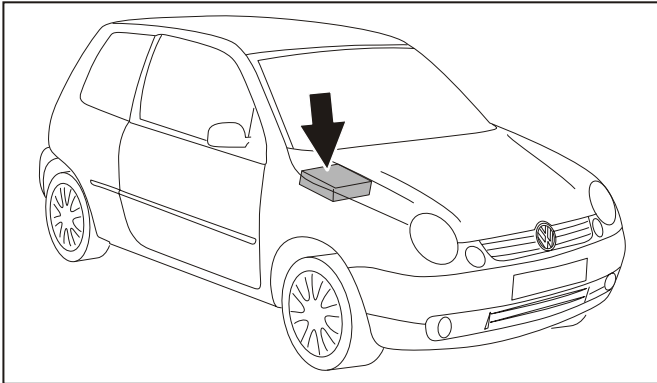


④

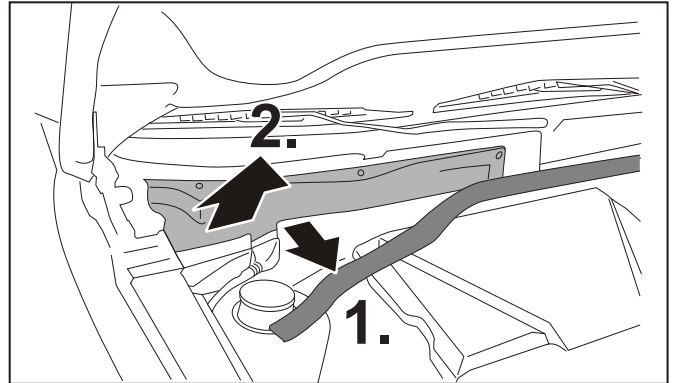


VW Lupo

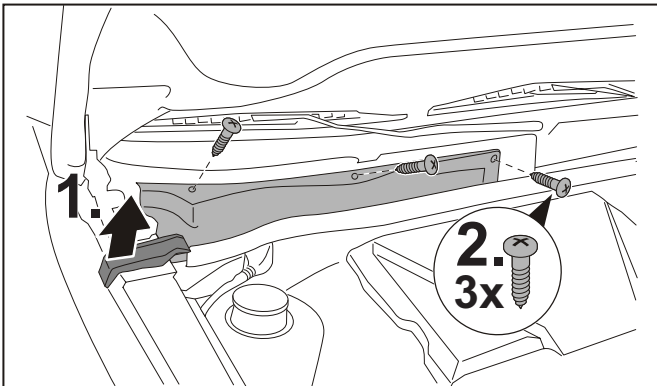
①



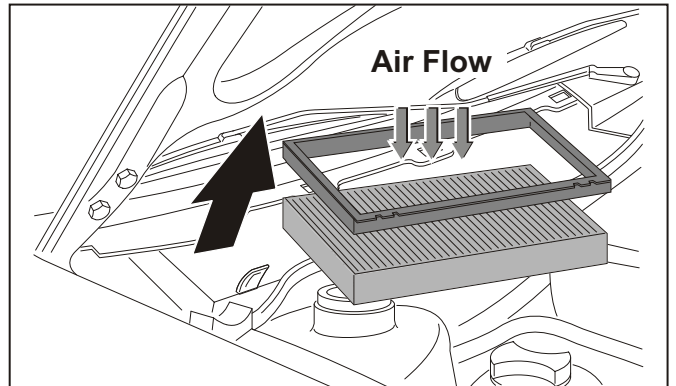
③



②

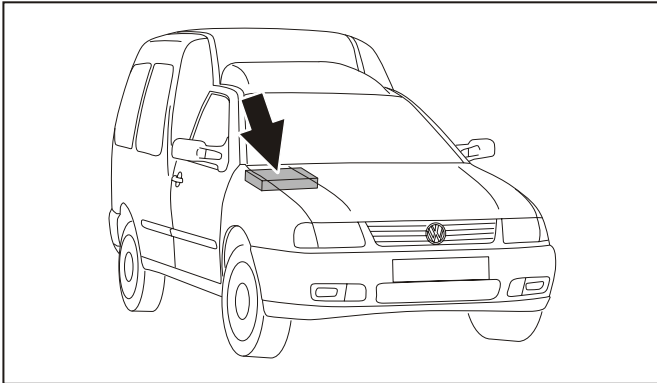


④

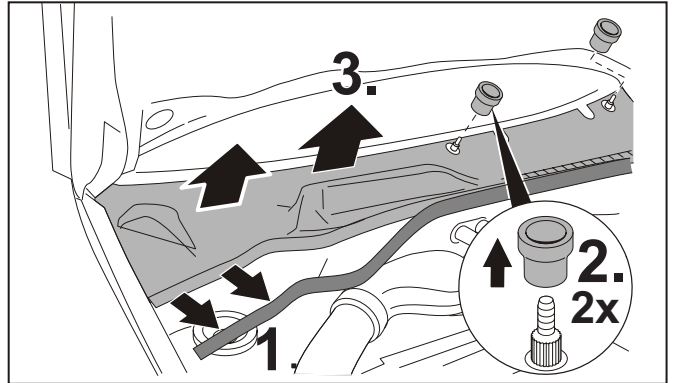


VW Caddy

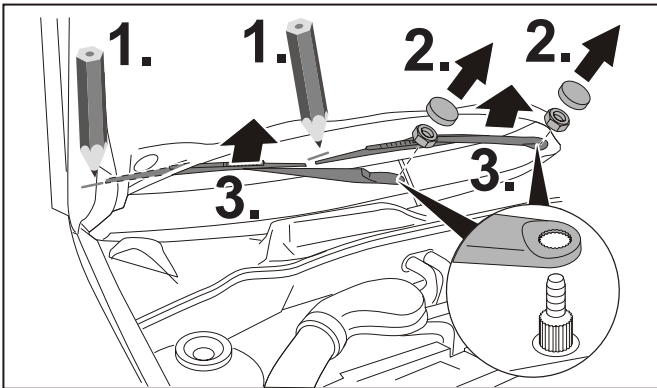
①



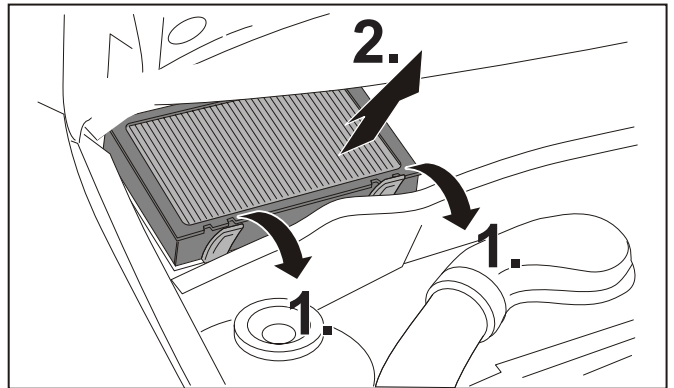
④



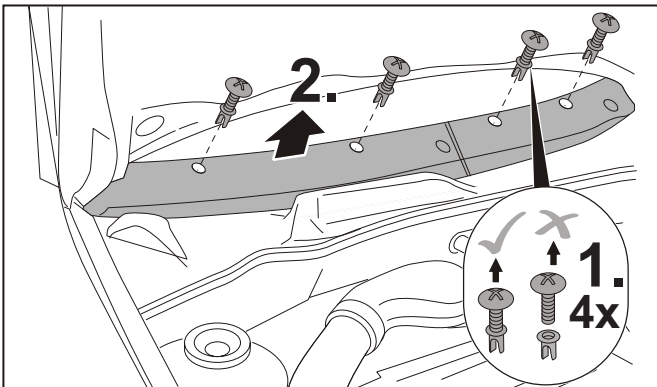
②



⑤

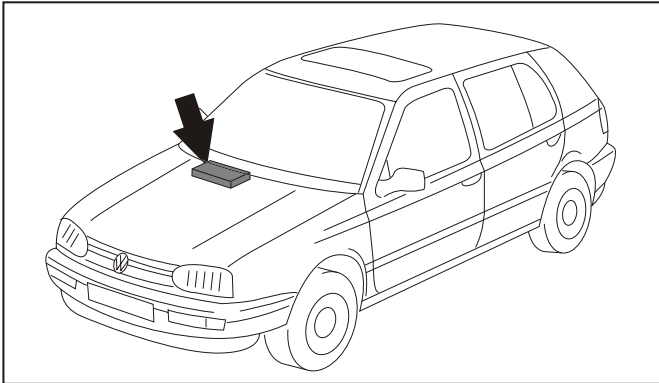


③

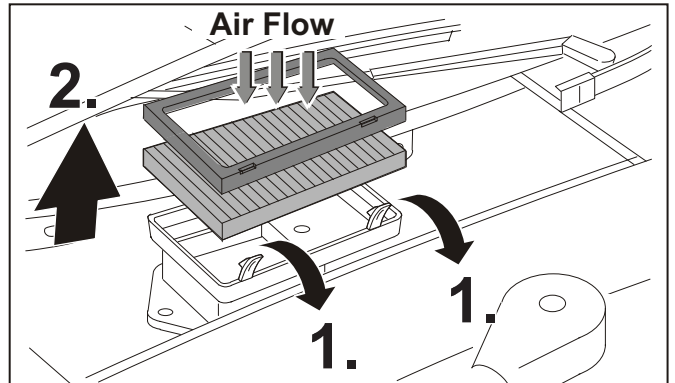


VW Golf III, Vento

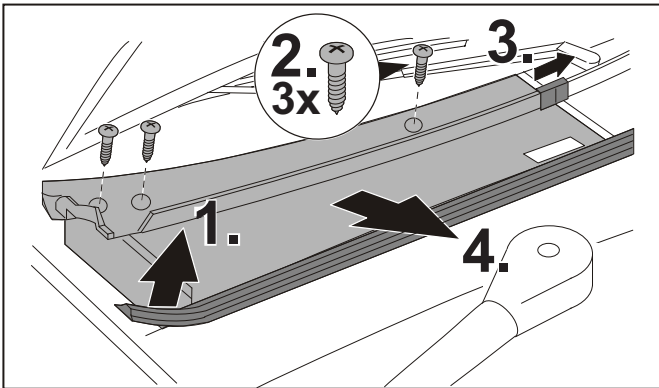
①



③

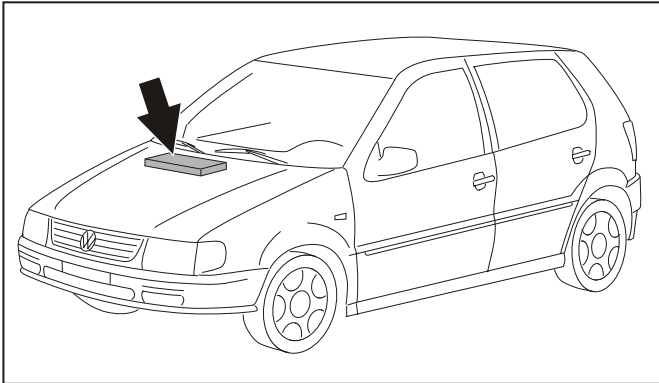


②

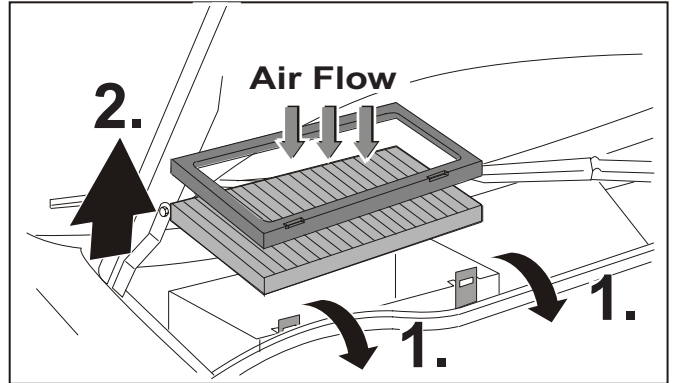


VW Polo

①



③



②

